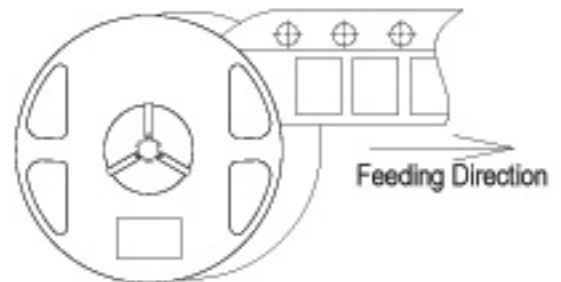
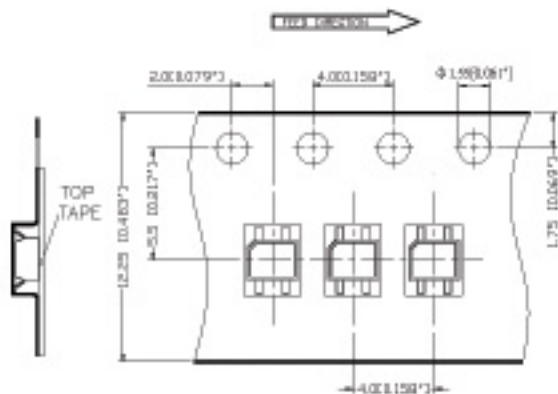
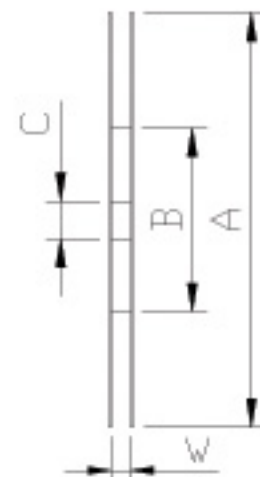
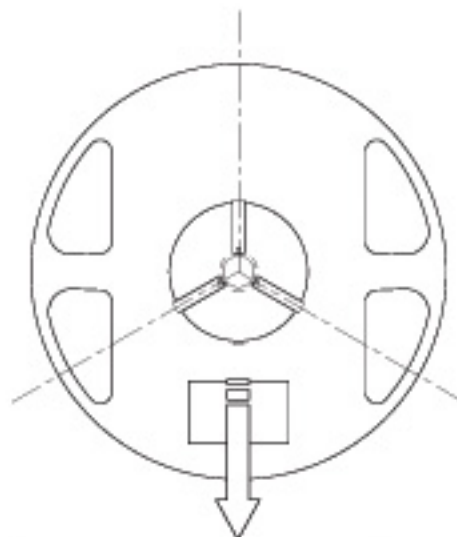


★ Tape And Reel Of GH-2028 Full-Color Series



Dimensions per ANSI/EIA Standard RS-481 All dimensions are in Millimeters (inches).	
A	180[7.09]
B	60[2.36]
C	13.5[0.53]
W	12.5[0.50]
Thickness of top cover tape 0.1[0.004"] MAX	



G GRAND HALO ELECTRONIC LTD	
PART NO.	
LOT NO.	
QUANTITY	
DATE	
DATA	

NOTES

1. Empty component pockets are sealed with top cover tape;
2. Minimum leader length at both ends of the tape is 450 mm;
3. The maximum number of missing lamps is two;
4. 2,000pcs/Reel