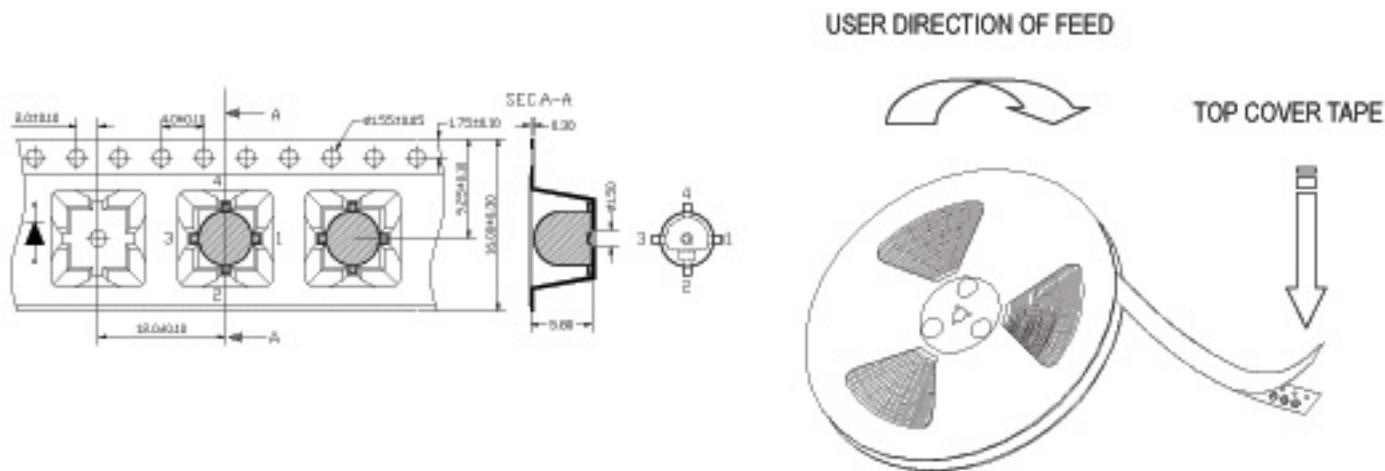
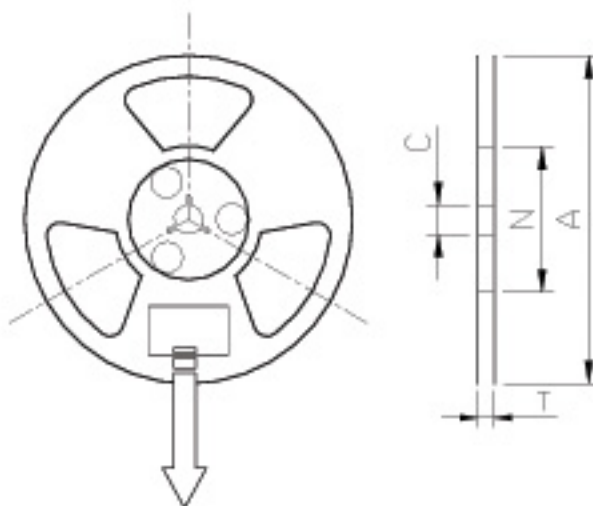


* Tape And Reel Of GH-5168-L1 Single-Color Series



Dimensions per ANSI/EIA Standard RS-481 All dimensions are in Millimeters (inches).	
A	330[13.0]
N	100[3.93]
C	13 [0.51]
T	16.5[0.65]
Thickness of top cover tape 0.1[0.004"] MAX	



GRAND HALO ELECTRONIC LTD	
PART NO.	
LOT NO.	
QUANTITY	
DATE	
DATA	

NOTES

1. Empty component pockets are sealed with top cover tape;
2. Minimum leader length at both ends of the tape is 450 mm;
3. The maximum number of missing lamps is two;
4. The cathode is oriented towards the tape sprocket hole;
5. 800pcs/Reel.