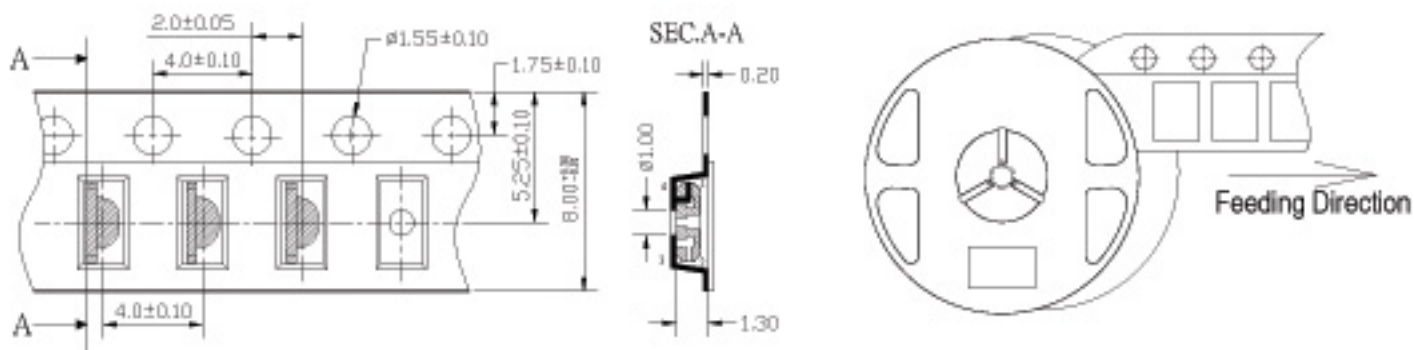
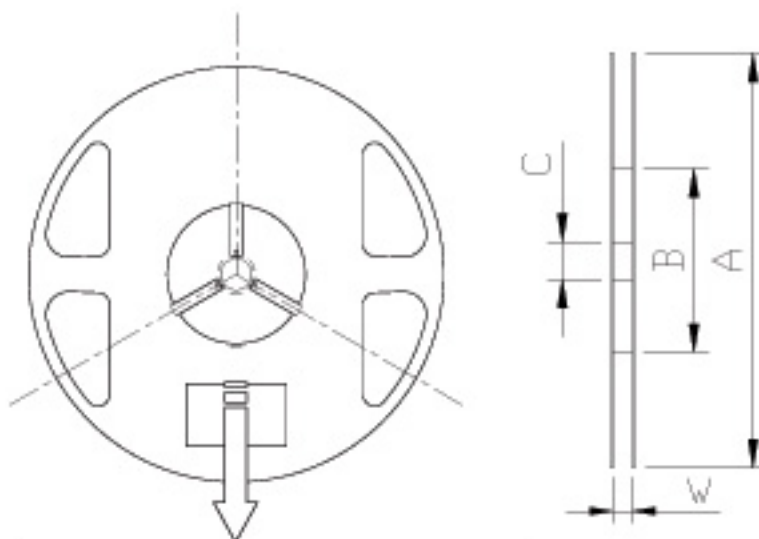


★ Tape And Reel Of GH-6110 Series

Rev: B Date:2008/12/31



Dimensions per ANSIEIA Standard RS-481 All dimensions are in Millimeters (inches).	
A	180[7.09]
B	60[2.36]
C	13.5[0.53]
W	8.4[0.33]
Thickness of top cover tape 0.1[0.004"] MAX	



GRAND HALO ELECTRONIC LTD	
PART NO.	
LOT NO.	
QUANTITY	
DATE	
DATA	

NOTES:

1. Empty component pockets are sealed with top cover tape;
2. Minimum leader length at both ends of the tape is 450 mm;
3. The maximum number of missing lamps is two;
4. 3,000 pcs/Reel