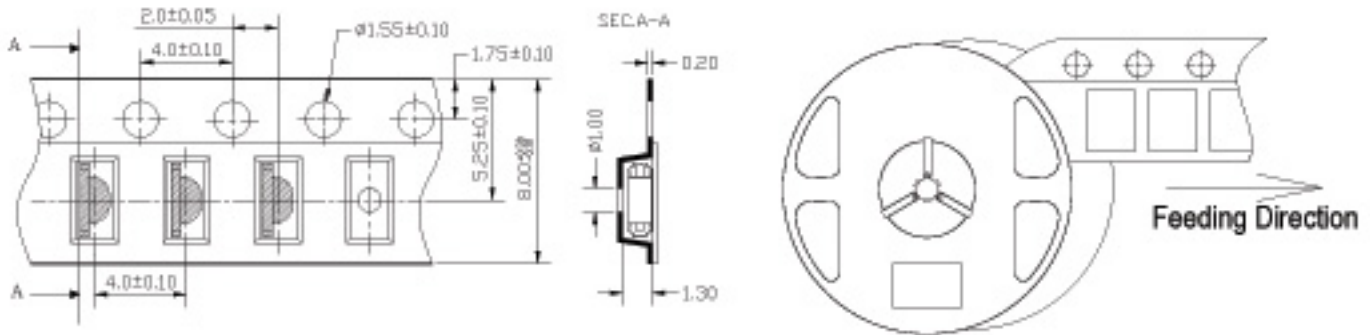
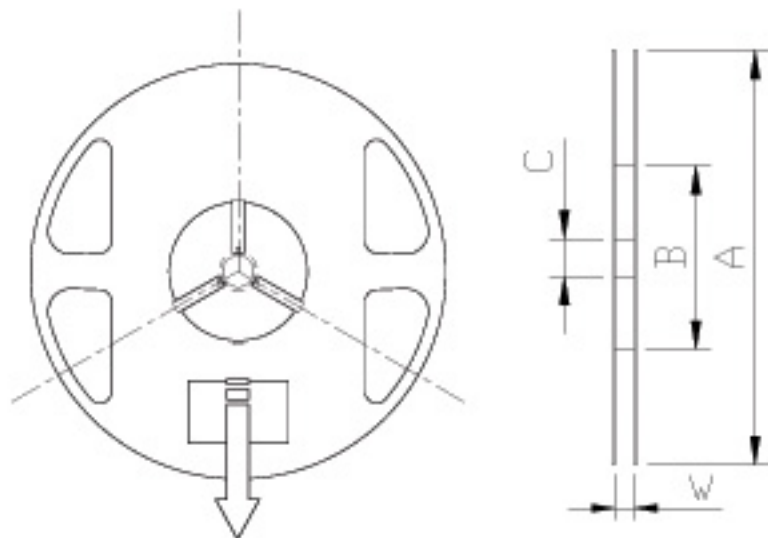


★ Tape And Reel Of GH-9110 Series

Rev: B Date: 2008/12/31



|                                                                                        |            |
|----------------------------------------------------------------------------------------|------------|
| Dimensions per ANSI/EIA Standard RS-481<br>All dimensions are in millimeters (inches). |            |
| A                                                                                      | 180[7.09]  |
| B                                                                                      | 60[2.36]   |
| C                                                                                      | 13.5[0.53] |
| W                                                                                      | 8.4[0.33]  |
| Thickness of top cover tape<br>0.1[0.004"] MAX                                         |            |



|                           |  |
|---------------------------|--|
| GRAND HALO ELECTRONIC LTD |  |
| PART NO.                  |  |
| LOT NO.                   |  |
| QUANTITY                  |  |
| DATE                      |  |
| DATA                      |  |

NOTES:

1. Empty component pockets are sealed with top cover tape;
2. Minimum leader length at both ends of the tape is 450 mm;
3. The maximum number of missing lamps is two;
4. The cathode is oriented towards the tape sprocket hole;
5. 3000pcs/Reel